

REVISION # 7 (All together)

I. Find the mean /average of each of the following:

a	5 cm 12 cm 4 cm 6 cm 3cm
b	20kg 25kg 40kg 15kg

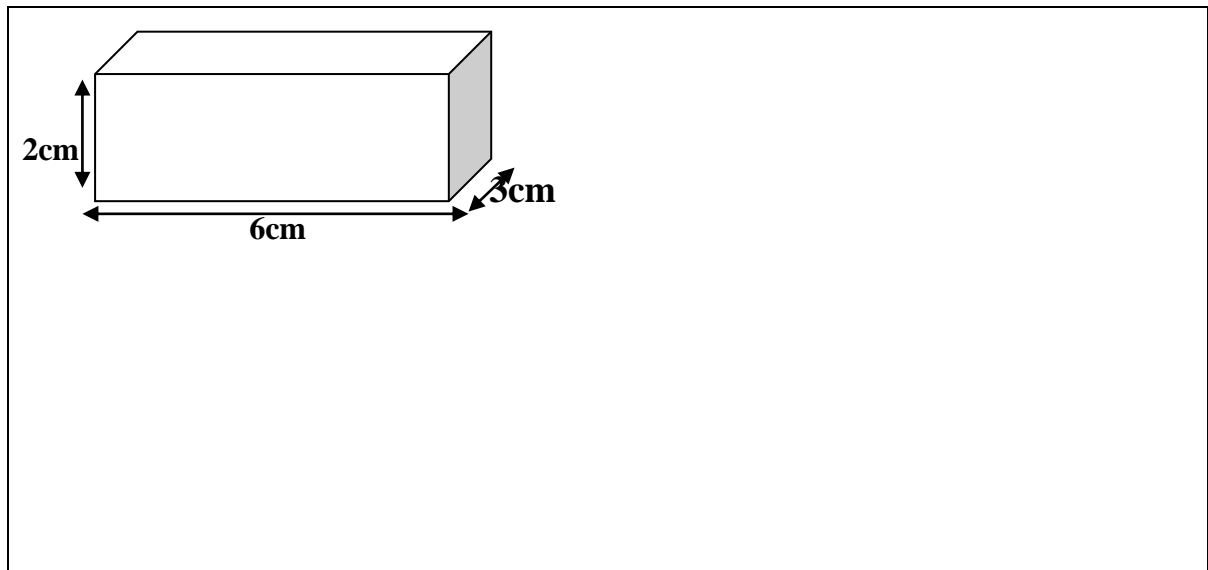
II. Find the simple interest:

Principal-5000 Rate per annum-3% Time-2 years	Principal-40000 Rate per annum-5% Time-3 years
--	---

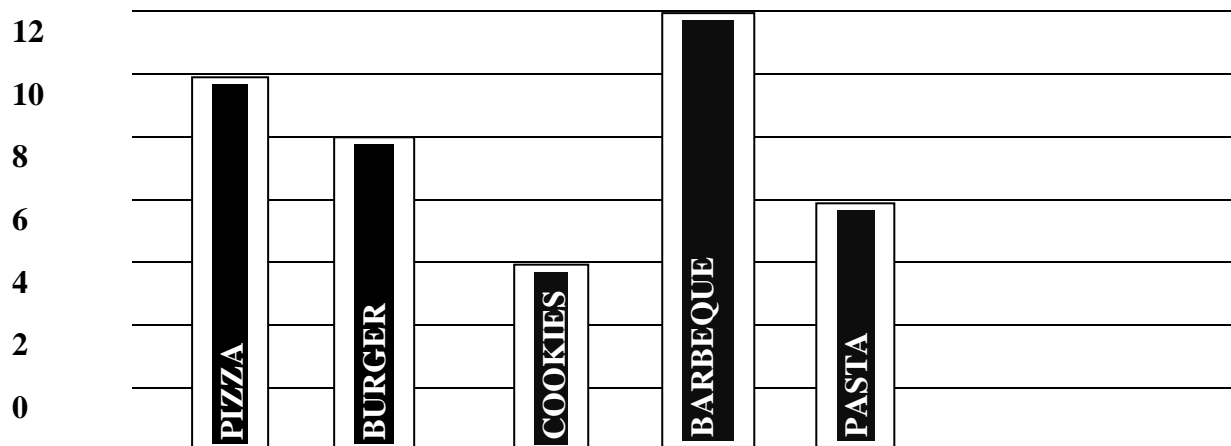
III. Find the area:



IV. Find the volume:



V. The bar graph shows the favorite food of level 4 students. Read the bar graph and answer the questions below :



- How many students like cookies?
- What is the favorite food of level 4 students?
- What is the difference between the most and the least favorite food?
- What is the total number of students in level 4 ?